

ideal
diffusers



Extract Valves

HEV Series

Product Overview

The HEV extract valve offers an efficient way of extracting air, with excellent performance characteristics and a stylish design for most commercial, industrial and residential ventilation applications.

The airflow rate of the HEV can be adjusted by simply turning the inner cone either inwards (clockwise) or outwards (anti-clockwise). The inner cone is secured with an integral locknut which ensures the set airflow is maintained.

Construction

HEV valve is manufactured from steel with a high durable gloss stove enamelled finish, which is anti - static and corrosion resistant. The valve incorporates an adjustable and lockable convex inner cone and valve body with foam gasket for air tight seal.

Fixing

Supplied complete with a separate plated mounting ring (pre punched holes) to secure the valve either in a wall, ceiling or duct mounting application.

Finish

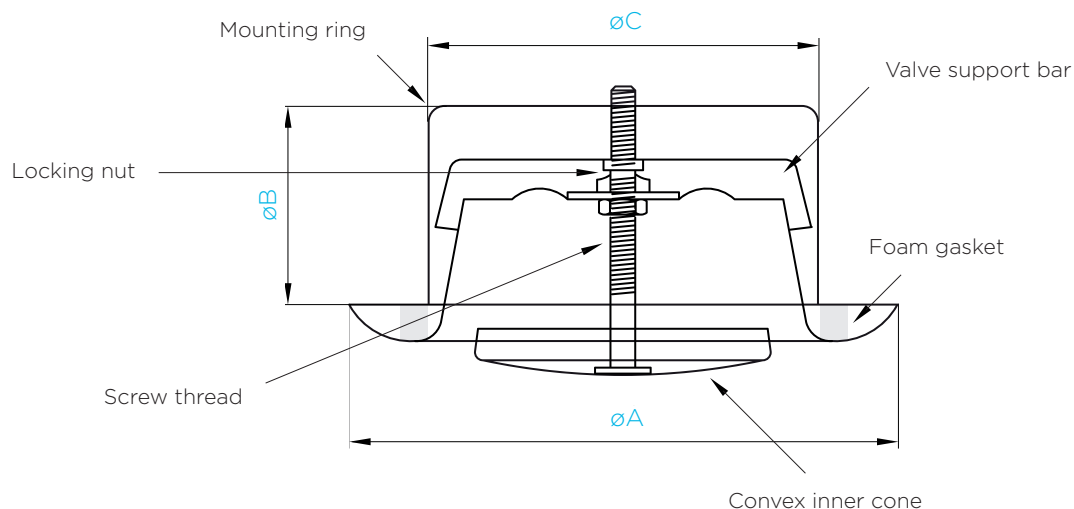
Gloss white (Standard).

Size Range

HEV valves are available in 4 standard sizes, 100mm, 125mm, 150mm, and 200mm.

Dimensions				
Product Code	A	B	C	Weight
HEV100	138	50	98	0.243
HEV125	166	50	123	0.305
HEV150	206	50	145	0.420
HEV200	250	50	196	0.604

All measurements in millimetres (mm) and weight in kilograms (kg)



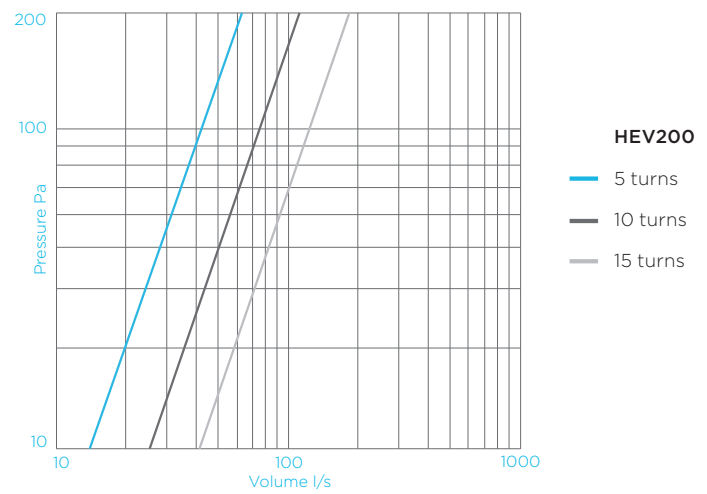
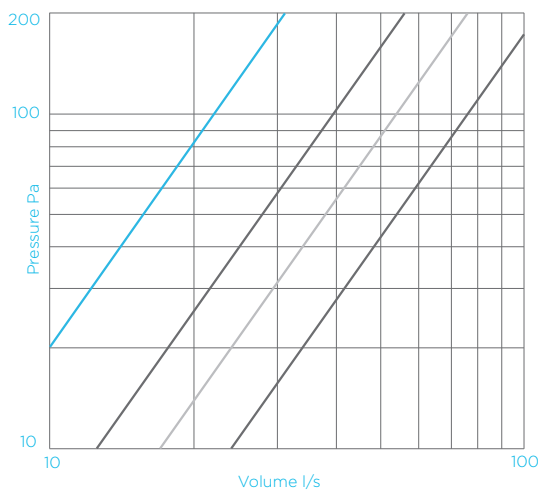
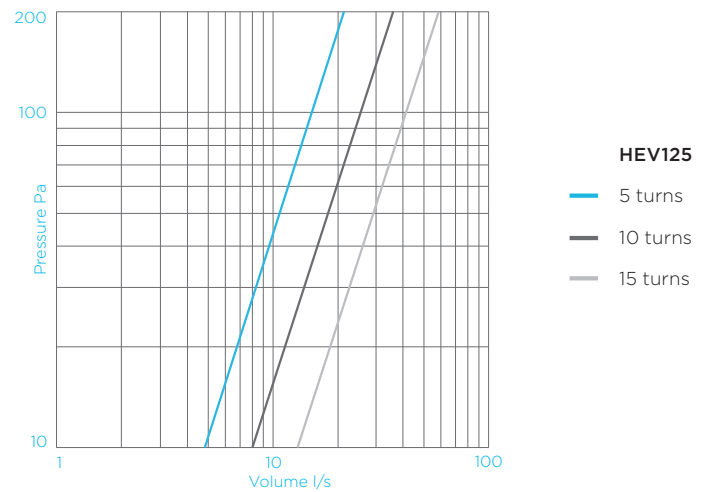
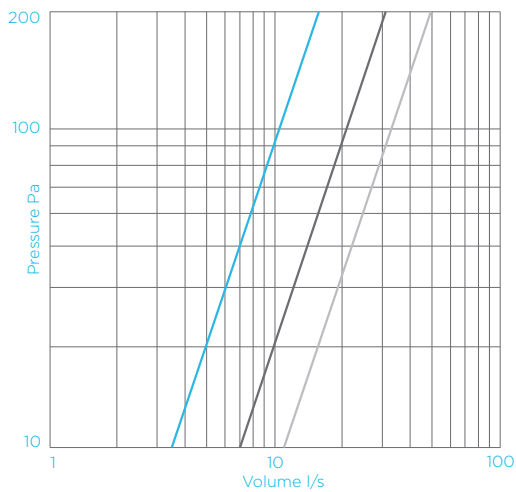
Extract Valves

Performance Data

All data based on:

A ceiling height of 2.7m and at isothermal conditions

Pressure drop selection guide														
Product Code	Core Position*	Pressure Pa												
		10	20	30	40	50	60	80	100	120	140	160	180	200
HEV100	5 turns	3.5	4.9	6.1	7.0	7.8	8.6	9.9	11.1	12.1	13.1	14.0	14.8	15.7
	10 turns	7.0	9.9	12.1	14.0	15.7	17.1	19.8	22.1	24.2	26.2	28.0	29.7	31.3
	15 turns	11.0	15.6	19.1	22.0	24.6	26.9	31.1	34.8	38.1	41.2	44.0	46.7	49.2
HEV125	5 turns	4.8	6.8	8.3	9.6	10.7	11.8	13.6	15.2	16.6	18.0	19.2	20.4	21.5
	10 turns	8.0	11.3	13.9	16.0	17.9	19.6	22.6	25.3	27.7	29.9	32.0	33.9	35.8
	15 turns	13.0	18.4	22.5	26.0	29.1	31.8	36.8	41.1	45.0	48.6	52.0	55.2	58.1
HEV150	5 turns	7.0	9.9	12.1	14.0	15.7	17.1	19.8	22.1	24.2	26.2	28.0	29.7	31.3
	10 turns	12.5	17.7	21.7	25.0	28.0	30.6	35.4	39.5	43.3	46.8	50.0	53.0	55.9
	15 turns	17.0	24.0	29.4	34.0	38.0	41.6	48.1	53.8	58.9	63.6	68.0	72.1	76.0
	20 turns	24.0	33.9	41.6	48.0	53.7	58.8	67.9	75.9	83.1	89.8	96.0	101.8	107.3
HEV200	5 turns	14.0	19.8	24.2	28.0	31.3	34.3	39.6	44.3	48.5	52.4	56.0	59.4	62.6
	10 turns	25.0	35.4	43.3	50.0	55.9	61.2	70.7	79.1	86.6	93.5	100.0	106.1	111.8
	15 turns	41.0	58.0	71.0	82.0	91.7	100.4	116.0	129.7	142.0	153.4	164.0	173.9	183.4



Placing an order

Product Code	Size mm*	Fixing Options	Finish
HEV Extract valve	100, 125, 150, 200	P Pre punched holes	W Gloss stove enamel white

Example Product Code			
HEV	100	P	W

*turns from closed. When ordering please state requirement from each column: Product code, size, fixing option & finish.