

ideal  
diffusers



## Supply Valves

### HSV Series

#### Product Overview

The HSV supply valve offers an efficient way of supplying air, with excellent performance characteristics and a stylish design for most commercial, industrial and residential ventilation applications.

The airflow rate of the HSV can be adjusted by simply turning the inner cone either inwards (clockwise) or outwards (anti-clockwise). The inner cone is secured with an integral locknut which ensures the set airflow is maintained.

#### Construction

HSV valve is manufactured from steel with a high durable gloss stove enamelled finish, which is anti - static and corrosion resistant. The valve incorporates an adjustable and lockable convex inner cone and valve body with foam gasket for air tight seal.

#### Fixing

Supplied complete with a separate plated mounting ring (pre-punched holes) to secure the valve either in a wall, ceiling or duct mounting application.

#### Finish

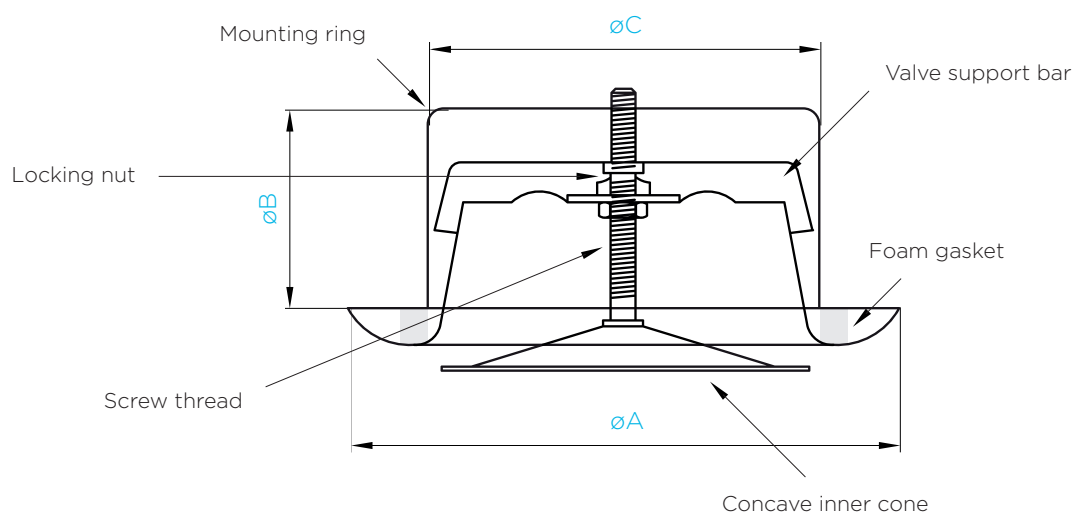
Gloss white (Standard).

#### Size Range

HSV valves are available in 4 standard sizes, 100mm, 125mm, 150mm, and 200mm.

Dimensions				
Product Code	A	B	C	Weight
HSV100	138	50	98	0.245
HSV125	166	50	123	0.306
HSV150	206	50	145	0.409
HSV200	250	50	196	0.606

All measurements in millimetres (mm) and weight in kilograms (kg)



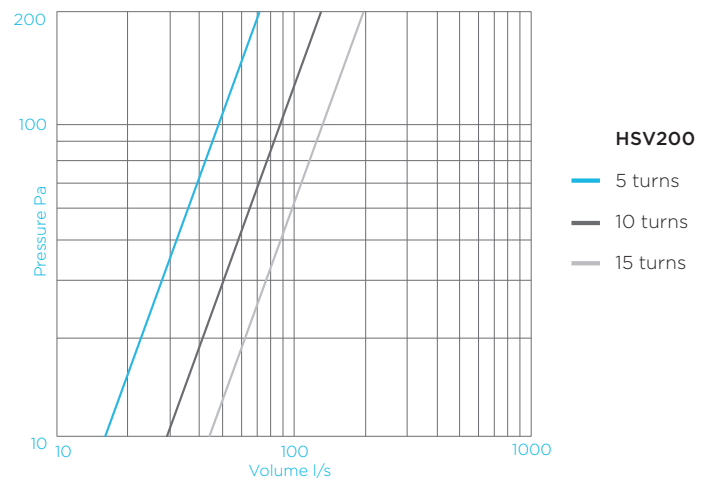
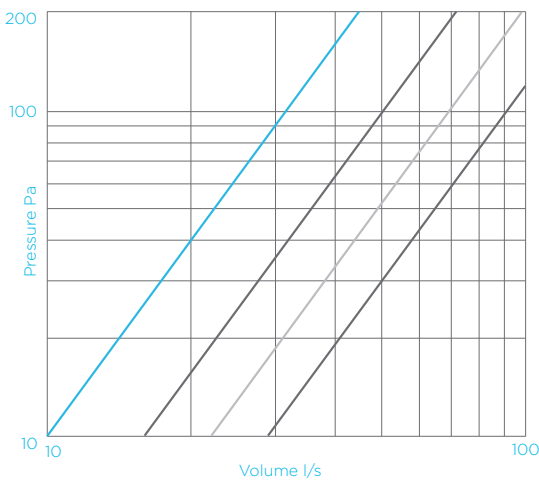
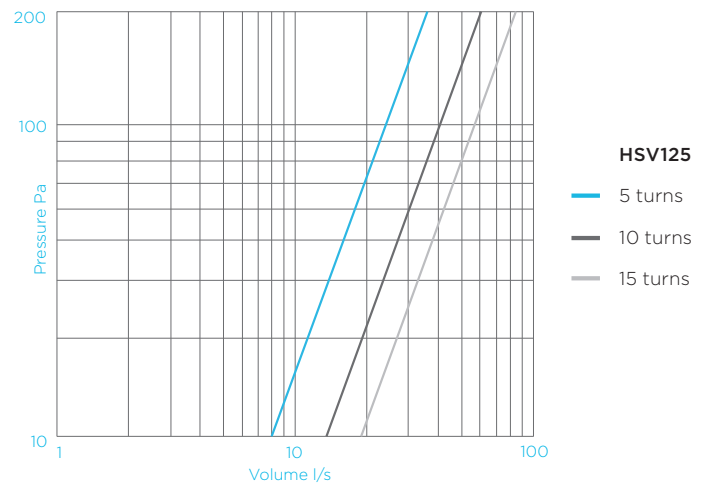
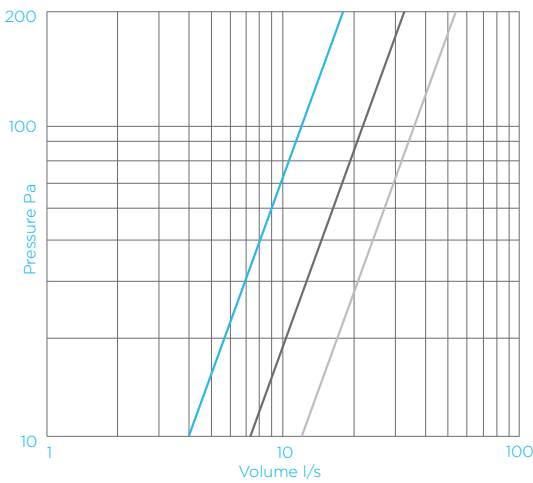
# Supply Valves

## Performance Data

All data based on:

A ceiling height of 2.7m and at isothermal conditions

Pressure drop selection guide															
Product Code	Core Position*		Pressure Pa												
			10	20	30	40	50	60	80	100	120	140	160	180	200
HSV100	5 turns	Flowrate L/s	4.0	5.7	6.9	8.0	8.9	9.8	11.3	12.6	13.9	15.0	16.0	17.0	17.9
	10 turns		7.3	10.3	12.6	14.6	16.3	17.9	20.6	23.1	25.3	27.3	29.2	31.0	32.6
	15 turns		12.0	17.0	20.8	24.0	26.8	29.4	33.9	37.9	41.6	44.9	48.0	50.9	53.7
HSV125	5 turns		8.0	11.3	13.9	16.0	17.9	19.6	22.6	25.3	27.7	29.9	32.0	33.9	35.8
	10 turns		13.5	19.1	23.4	27.0	30.2	33.1	38.2	42.7	46.8	50.5	54.0	57.3	60.4
	15 turns		19.0	26.9	32.9	38.0	42.5	46.5	53.7	60.1	65.8	71.1	76.0	80.6	85.0
HSV150	5 turns		10.0	14.1	17.3	20.0	22.4	24.5	28.3	31.6	34.6	37.4	40.0	42.4	44.7
	10 turns		16.0	22.6	27.7	32.0	35.8	39.2	45.3	50.6	55.4	59.9	64.0	67.9	71.6
	15 turns		22.0	31.1	38.1	44.0	49.2	53.9	62.2	69.6	76.2	82.3	88.0	93.3	98.4
	20 turns		29.0	41.0	50.2	58.0	64.8	71.0	82.0	91.7	100.5	108.5	116.0	123.0	129.7
HSV200	5 turns		16.0	22.6	27.7	32.0	35.8	39.2	45.3	50.6	55.4	59.9	64.0	67.9	71.6
	10 turns		29.0	41.0	50.2	58.0	64.8	71.0	82.0	91.7	100.5	108.5	116.0	123.0	129.7
	15 turns		44.0	62.2	76.2	88.0	98.4	107.8	124.5	139.1	152.4	164.6	176.0	186.7	196.8



### Placing an order

Product Code	Size mm*	Fixing Options	Finish	
HSV	Supply valve	100, 125, 150, 200	P Pre punched holes	W Gloss stove enamel white

Example Product Code			
HSV	100	P	W

\*turns from closed. When ordering please state requirement from each column: Product code, size, fixing option & finish.