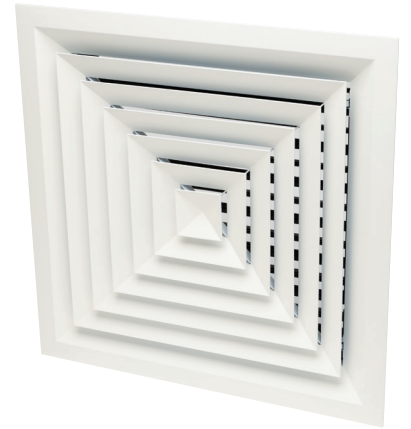


ideal
diffusers

Fixed Multi-cone Diffusers

LFD / LFR Series



Product Overview

Series LFD multi-cone diffusers are suited for supply and extract air applications. For supply air, multi-cone pattern design with quick release core and suitable for heating and cooling. Available in a range of different core patterns and sizes giving total flexibility for most installations in modern ceiling tile applications. When fitted with an opposed blade damper at the rear they become LFR Series.

Construction

From extruded aluminium sections. Hairline mitred joints mechanically held. Optional opposed blade dampers manufactured from extruded aluminium.

Size Range

Core Pattern	150 x 150	225 x 225	300 x 300	375 x 375	450 x 450
1					•
2					•
2C					•
3					•
4	•	•	•	•	•

Free area approx 46%.

Preferred sizes for the LFD / LFR series are available for next working day. Please enquire for details.

Fixing

- L - Lay-in tile replacer*
- C - Neck fixing (Fixing by others)

*450 x 450mm nominal neck size is 595 x 595mm overall (flange for surface mounting).

Finish

PPC RAL9010 - 20% gloss White (Standard)

Accessories

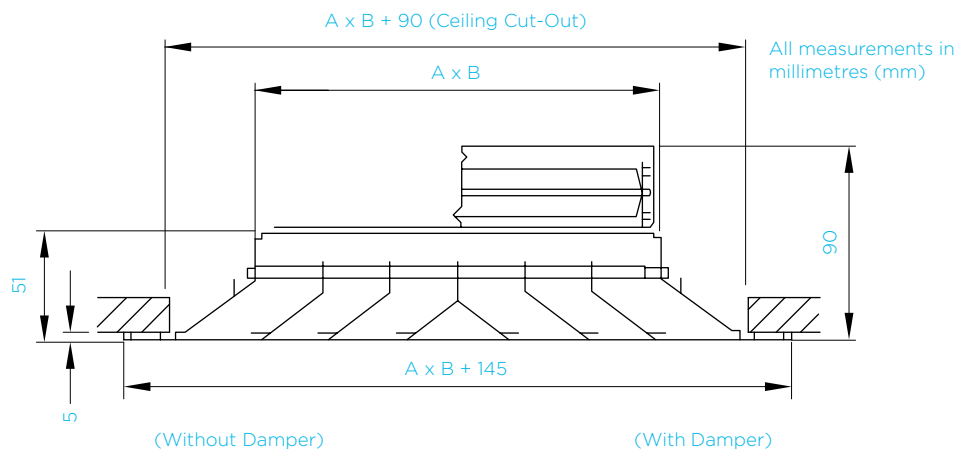
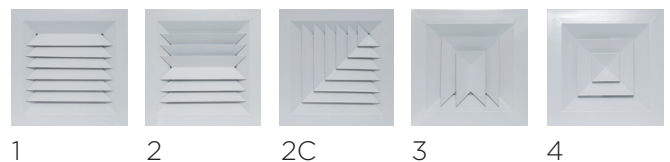
Please specify the accessories on your order.

Opposed blade damper (OBD)

Neck reducers

Plenum boxes

Core Patterns



Fixed Multi-cone Diffusers

Performance Data

All data based on:

*A ceiling height of 2.7m and at isothermal conditions

*Tabulated throw values [Lt] are with an unobstructed flush ceiling and to a point where the air velocity has reduced to 0.5m/s on the short throw and 0.25m/s on the longer throw.

NR L_p and Static Pressure P_s correction factors for grilles with an open damper								
q l/s	A x B	Vn m/s	Ps Pascals	NC	4 - Way	3 - Way	2 - Way	1 - Way
100	150 x 150	4.5	45	41	2.4 - 4.0	-	-	-
	225 x 225	2.0	11	18	1.7 - 2.9	-	-	-
125	225 x 225	2.5	21	25	2.4 - 3.2	-	-	-
	300 x 300	1.4	5	<15	1.1 - 2.1	-	-	-
150	225 x 225	3.0	25	28	2.5 - 3.3	-	-	-
	300 x 300	1.7	8	<15	1.4 - 2.5	-	-	-
175	225 x 225	3.5	32	32	2.7 - 4.0	-	-	-
	300 x 300	2.0	11	18	1.8 - 3.0	-	-	-
	375 x 375	1.3	4	<15	1.2 - 2.2	-	-	-
200	300 x 300	2.2	12	19	2.0 - 3.2	-	-	-
	375 x 375	1.4	5	<15	1.5 - 2.7	-	-	-
	450 x 450	1.0	2	<15	1.1 - 2.2	1.3 - 2.3	1.6 - 2.9	2.1 - 4.3
250	300 x 300	2.8	22	28	2.5 - 3.6	-	-	-
	375 x 375	1.8	9	15	1.9 - 3.1	-	-	-
	450 x 450	1.2	3	<15	1.5 - 2.6	1.7 - 2.9	2.0 - 3.5	2.7 - 4.7
300	300 x 300	3.3	27	32	2.7 - 4.6	-	-	-
	375 x 375	2.1	12	19	2.0 - 3.9	-	-	-
	450 x 450	1.5	5	<15	1.6 - 2.8	1.8 - 3.4	2.5 - 4.0	3.2 - 5.5

Placing an order

Example Product Code						
4	LFR	450	450	NOM	L	RAL9010

Terminal Velocity m/s	0.5	0.4	0.25
Throw Multiplier	0.8	1	1.5

Core Pattern		Series		Size mm*		Dimensional Selection		Fixing		Finish	
				Width	Height						
1	1 way air pattern	LFD	Diffuser only	150	150	NOM	Nominal opening size	L	Lay-in tile replacement (450 x 450 only)	RAL9010	PPC RAL9010 (20% gloss) White
				450	450			C	Neck fixing (fixing by others)		
2	2 way opposite air pattern	LFR	Diffuser with opposed blade damper fitted	*Sizes in 75mm increments When ordering please state requirement from each column: Core Pattern, Series, Size, Dimensional Selection, Fixing & Finish.							
2C	2 way corner air pattern										
3	3 way air pattern										
4	4 way air pattern										